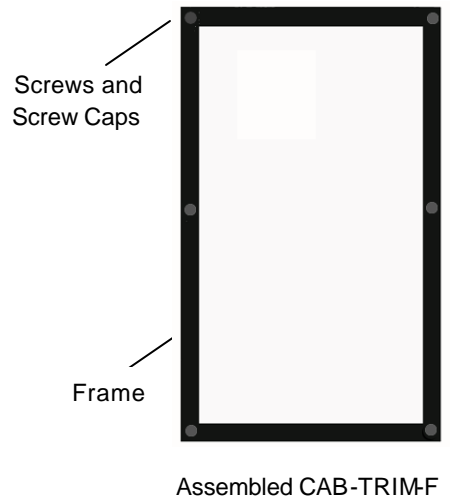
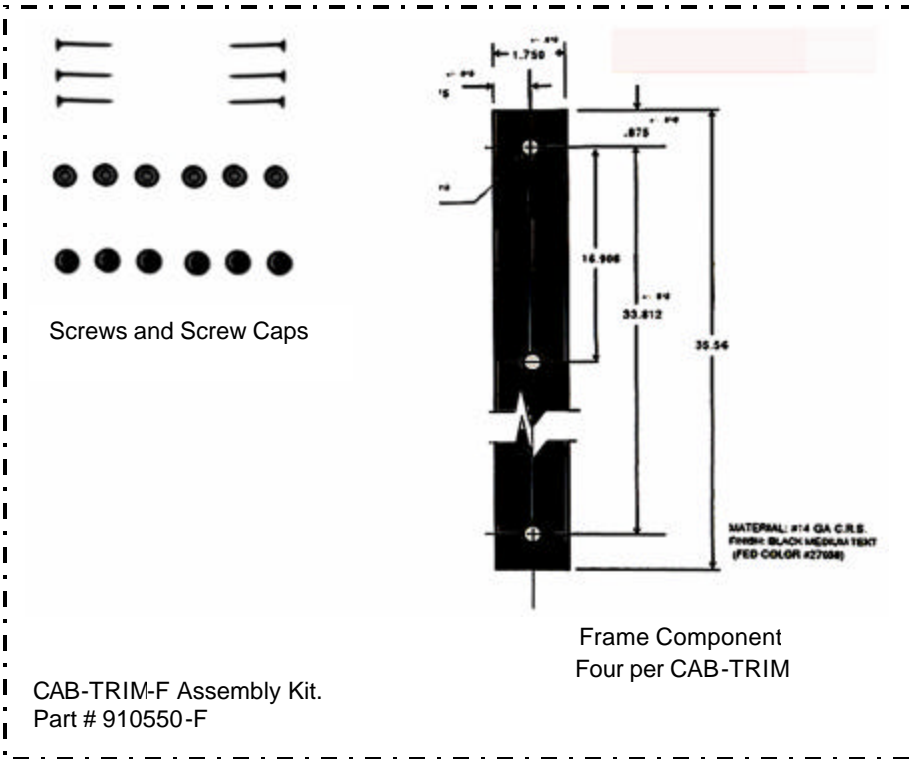


# Components for assembling CAB-TRIM-F and drawing showing assembled CAB-TRIM-F



CAB-TRIM-F Assembly Kit consists of four black metal straps, pre-drilled for assembly around a CAB-F control. Six screws and six black screw-caps are provided together with assembly instructions. The trim can be assembled around the cabinet after the cabinet has been mounted on the wall.

The kit is also available for the EVAC 101 CAB -A size (Part # 910550-A) and the CAB-M